

## **Banana Planter**

This high-performance machine has been designed exclusively for banana cultivation.

The banana planter is a 3-point mounted machine which is attached to the rear of the tractor. The selective folding of the side arms allows, during work, to raise one of the two arms to avoid an obstacle or to manoeuvre at the end of the field.

This very specific machine is fully adjustable:

The central console can be adjusted in height and angle of inclination. The working height can be changed by adjusting the gauge wheels.

The planting distance can be changed by adjusting the distance between the planting elements and the front gauge wheels.

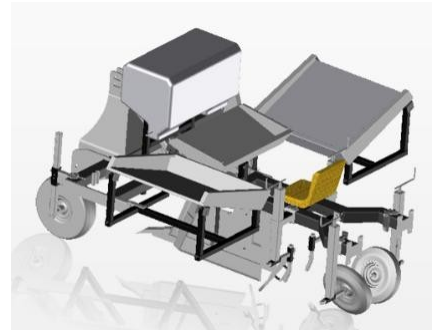
The skimmers, which are used to bring the soil to the surface along the planting axis, are adjustable in depth, angle and spacing.

The wheels that compact the soil and the plant are adjustable in depth and distance. The adjustment of the seats and footrests according to the morphology of the operator is possible.

A control box allows to control mechanical elements, the number of plants during the work and the adjustment of some elements hydraulically.

### **Option:**

- A fertilizer locator
- Sheath uncoiler



## **Performance table**

Ref.	Packing			Weigh t	Performance
	Length	Width	Height		
PLVPB1R 3.00	2,40	1,80	880Kg	1 driver 1 operator Forward speed = 1,5 to 2 Km/h Tractor power = 100cv 4WD Electrically adjustable distance between planes	